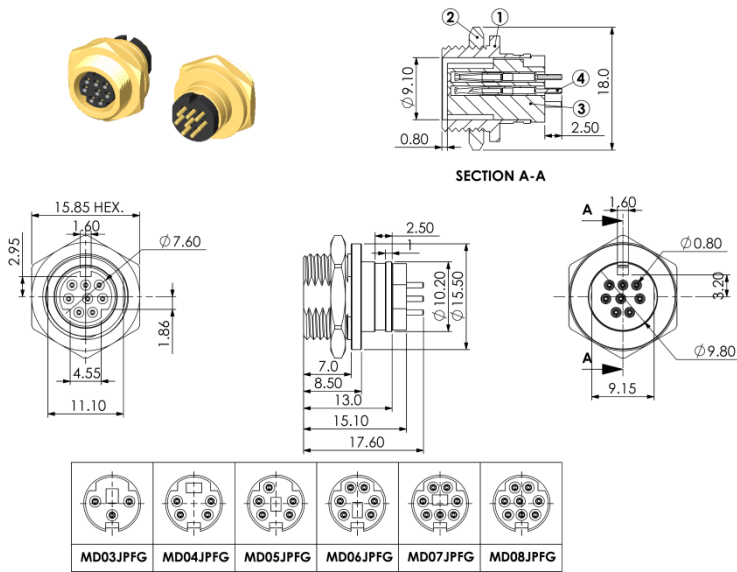


MD0XJPGF MINI DIN SOCKET PANEL MOUNT



MATERIAL :

1. SHIELD COVER :
BRASS GOLD PTD.
2. SCRWE NUT:
BRASS GOLD PTD.
3. HOUSING :
PBT+GF30%
4. TERMINALS :
PHOSPHOR BRONZE GOLD PTD.

SPECIFICATION :

Rating :

100V AC 1A /12V DC 2A max.

Contact Resistance :

30mΩ max.

Insulation Resistance :

50MΩ at 250V DC min.

Voltage Withstand :

250V AC for 1 minute



MD03JPGF



MD04JPGF



MD05JPGF



MD06JPGF



MD07JPGF



MD08JPGF